

MENABO

free time on the move

OE TOYOTA COROLLA CROSS (XG10) 2020>

IT Istruzioni di montaggio

EN Fitting instructions

DE Montageanleitung

FR Instructions de montage

ES Instrucciones de montaje

BG инструкции за сглобяване

CS Návod na montáž

DA Monteringsvejledning

EL Οδηγίες συναρμολόγησης

ET Paigaldusjuhend

FI Asennusohje

HR Uputa za sastavljanje

HU A felszerelés módja

LT Pritvirtinimo instrukcijos

LV Stiprināšanas instrukcija

NL Instrukcja montażu

NO Monteringsveiledning

PL Instrukcja montażu

PT Instruções de Montagem

RO Instrucțiuni de montare

RU Инструкции по установке

SK Návod na montáž

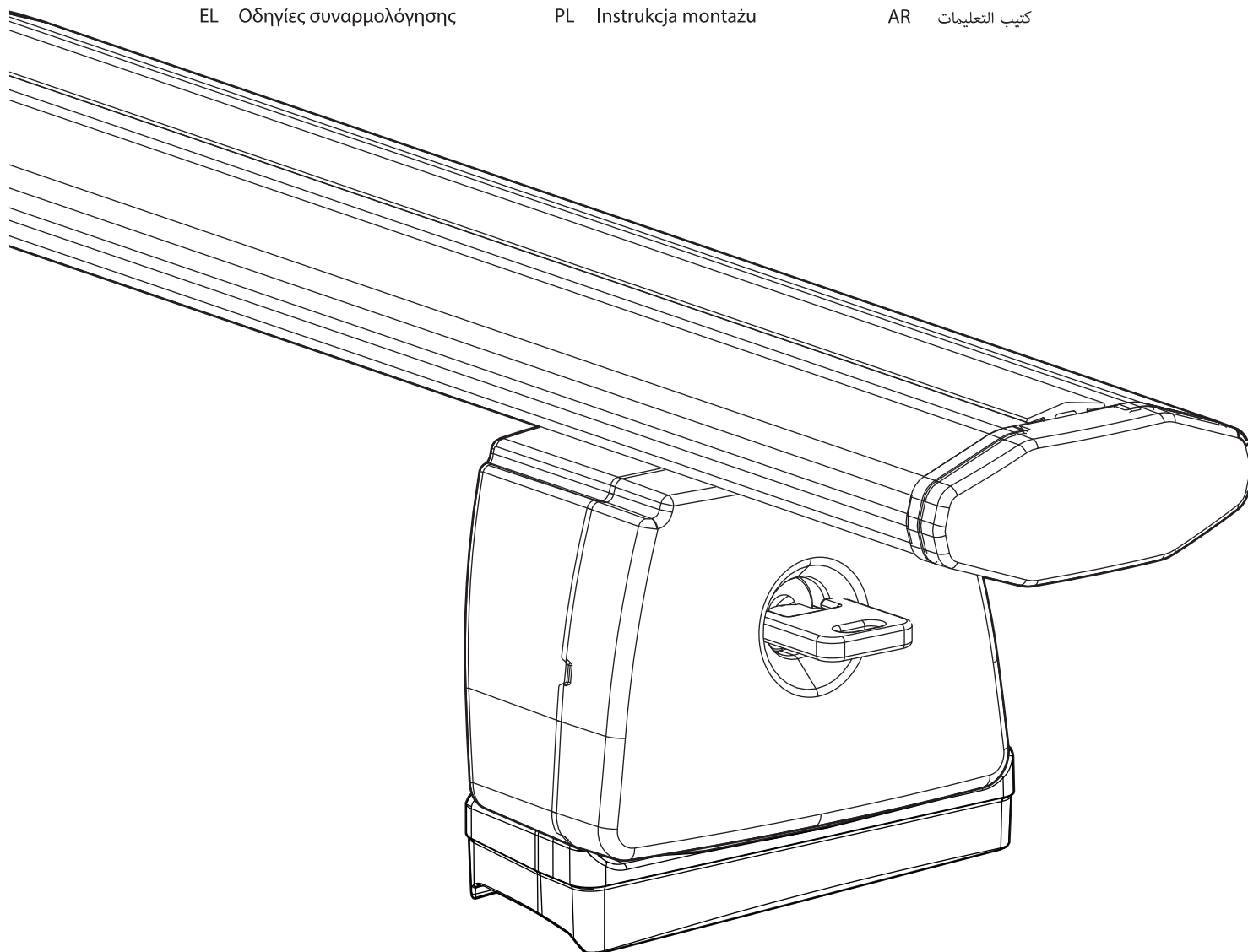
SL Navodila za pritrdjevanje

SV Monteringsanvisning

TK Uydurma talimat



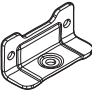










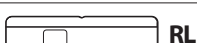
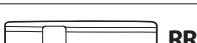
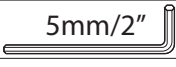





ZH 裝修指導





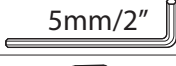




AR كتيب التعليمات

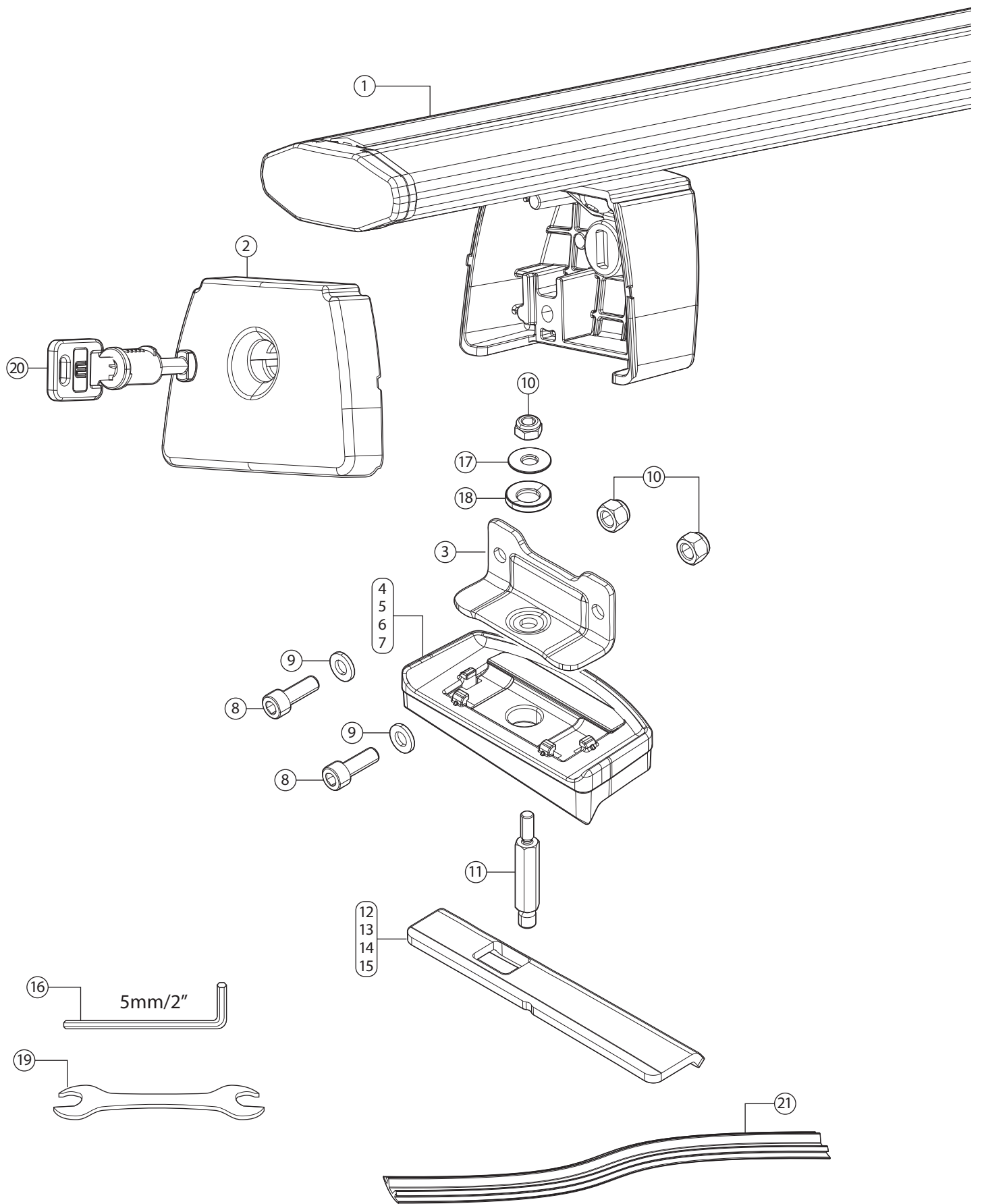


Made in Italy

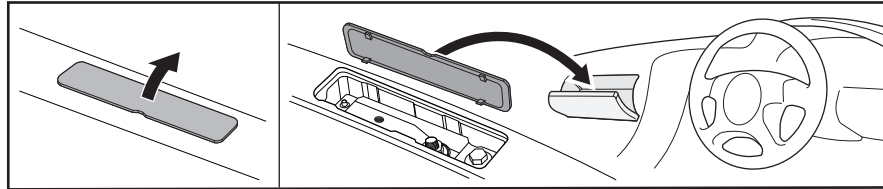
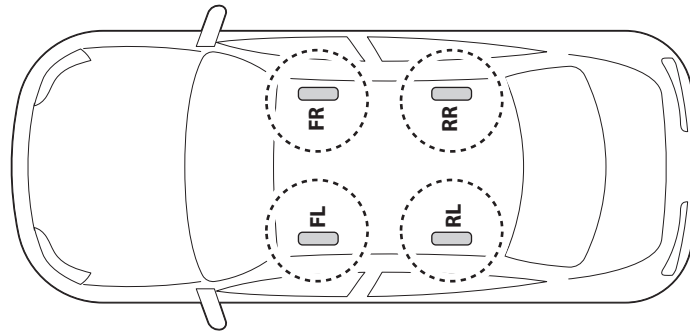


N	(IT)Componenti (Inclusi) (EN)Components (Included) (FR)Composants (Comprises) (DE)Die Komponenten (im Lieferumfang enthalten) (ES)Componentes (Incluido)	Q
1		2
2		4
3		4
4		1
5		1
6		1
7		1
8		8
9		8
10		12
11		4
12		1
13		1
14		1
15		1
16		1
17		4
18		4
19		1
20		4
21		4

N	(IT)Ricambi (A Richiesta) (EN)Spare Parts (Made to order) (FR)Pièces de rechange (Sur commande) (DE)Teile (auf Anfrage) (ES)Piezas de recambio (Previa solicitud)	Q	Codice-Code-Código
8	 M6X20	8	700040100000
9	 Ø6X12	12	
10	 M6	12	
11		4	
16	 5mm/2"	1	700025000000
B	 xxxx	2	700010300000
A		2	700007900000
20	 +  xxxx	4	000084800000



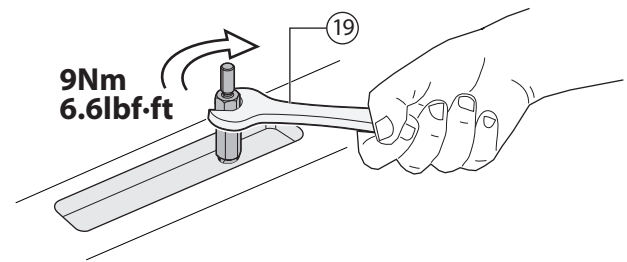
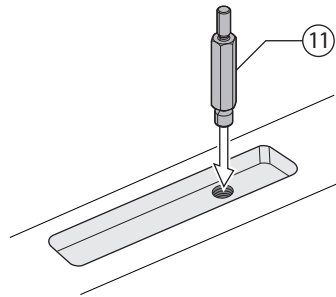
1



2

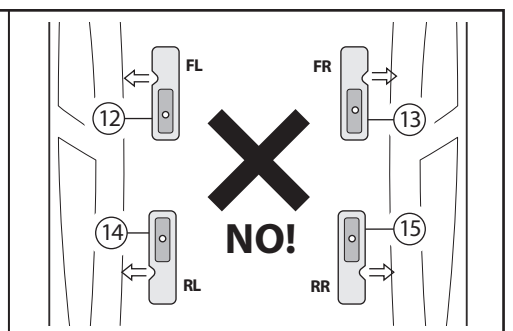
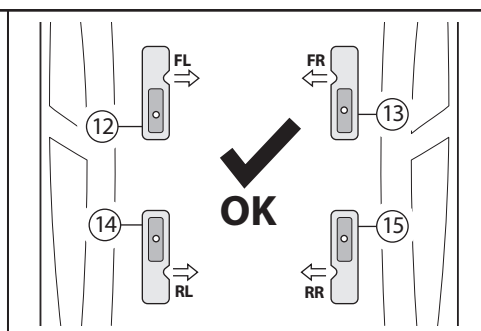
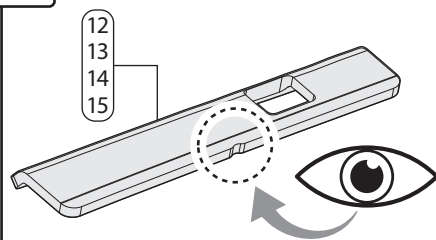
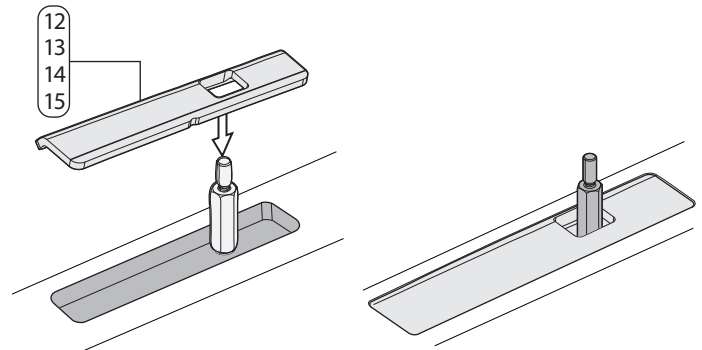
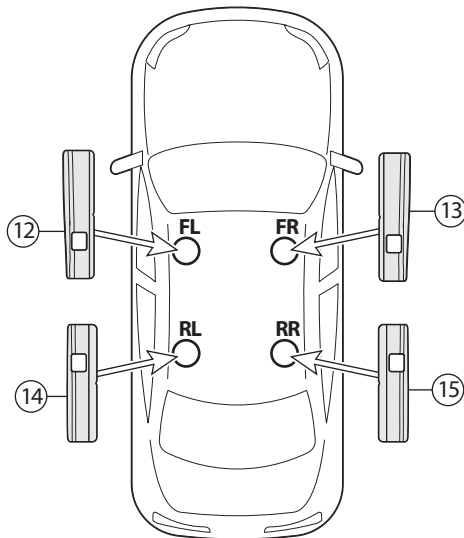
x4

N	Image	Q
11		1








3

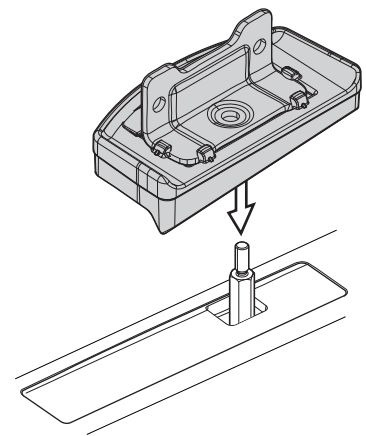
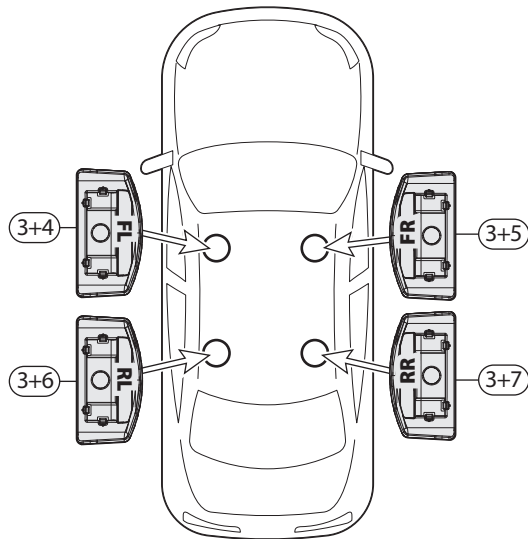
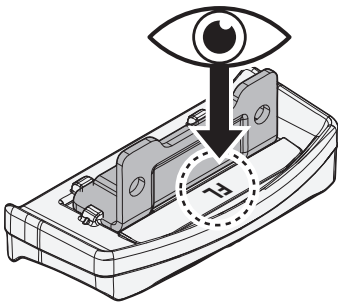
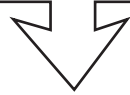
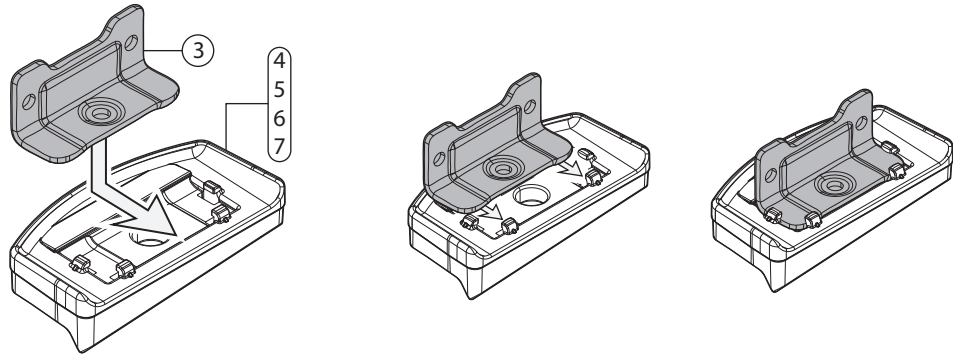
N	Image	Q
12	FL	1
13	FR	1
14	RL	1
15	RR	1



4

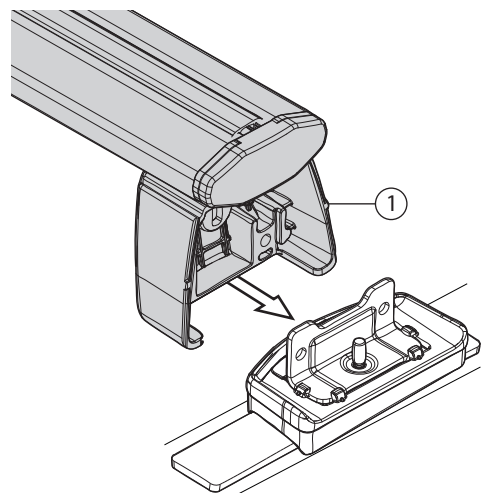
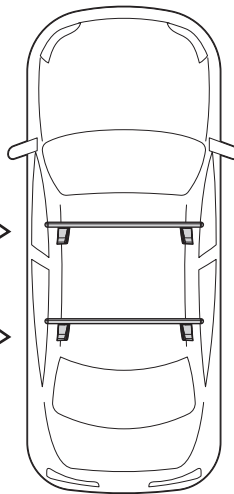
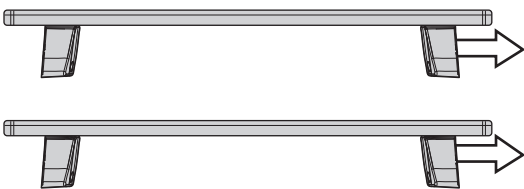
x4

N		Q
3		4
4		1
5		1
6		1
7		1



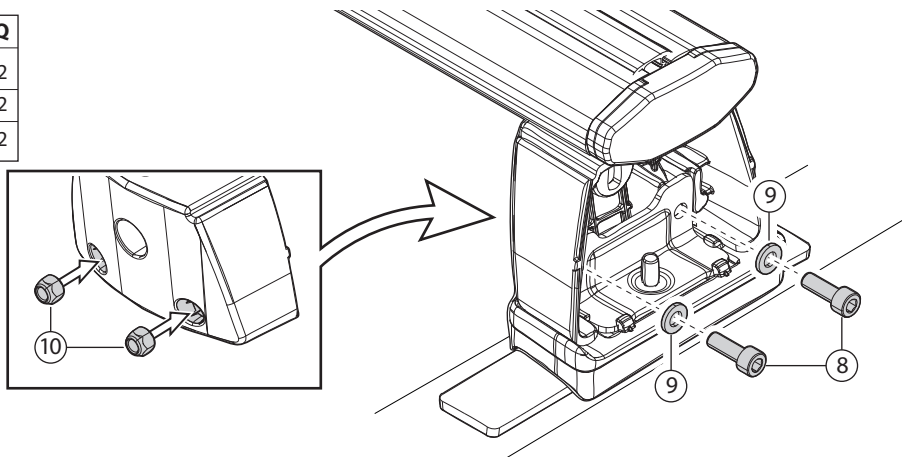
5

N		Q
1		2



7

N		Q
8	M6X20	2
9	Ø6X12	2
10	M6	2



1)

5Nm
3.7lbf·ft

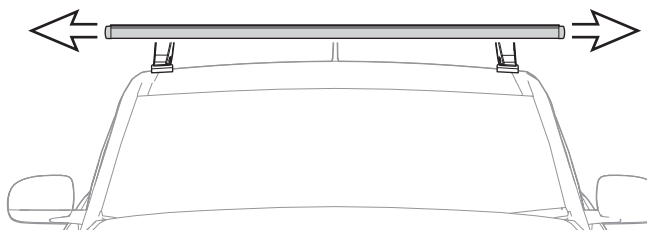
2)

N		Q
10	M6	1
17		1
18		1

3)

8

FRONT BAR / REAR BAR



A=B

OK

A≠B

NO

1)

10 Nm
7.4 lbf·ft

x4

2)

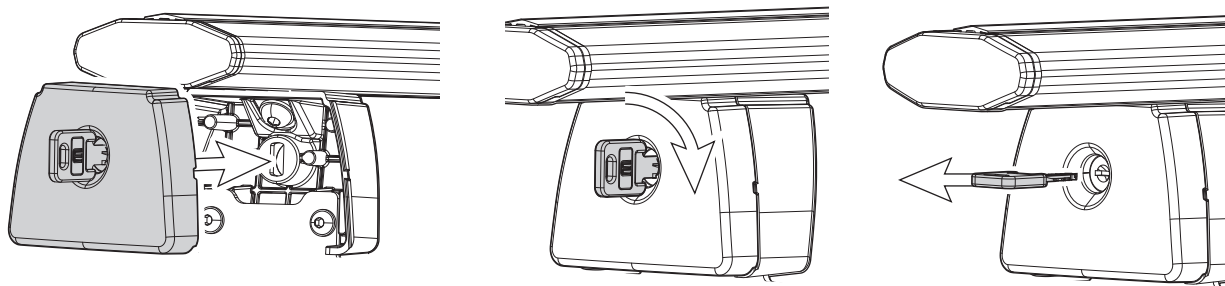
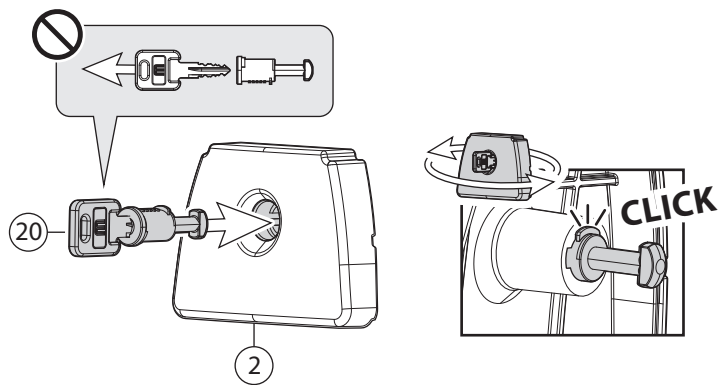
5 Nm
3.7 lbf·ft

x4

9

x4

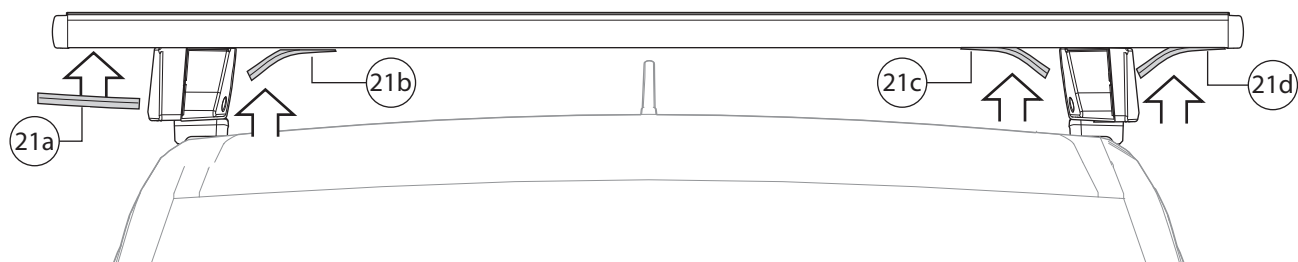
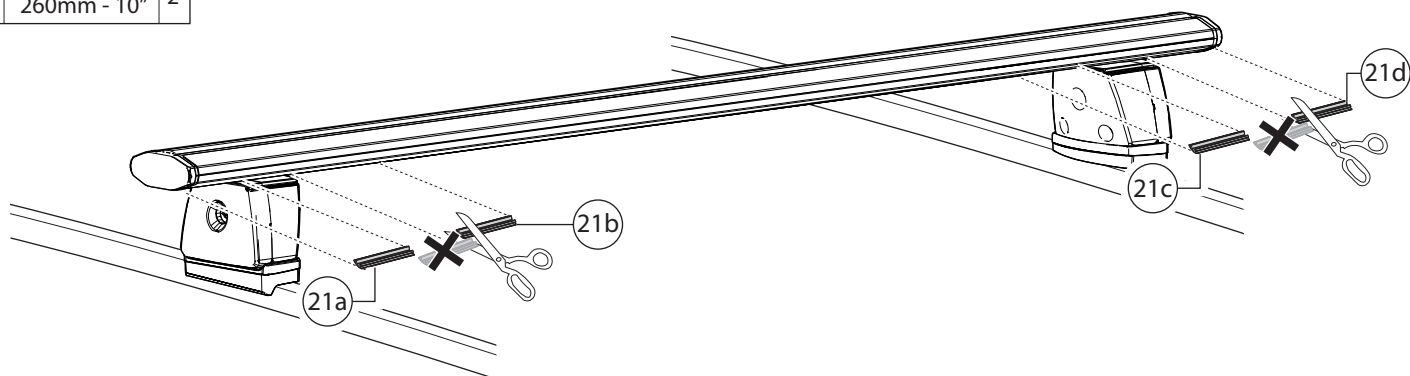
N	Image	Q
2		1
20		1



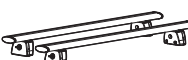
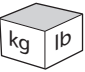


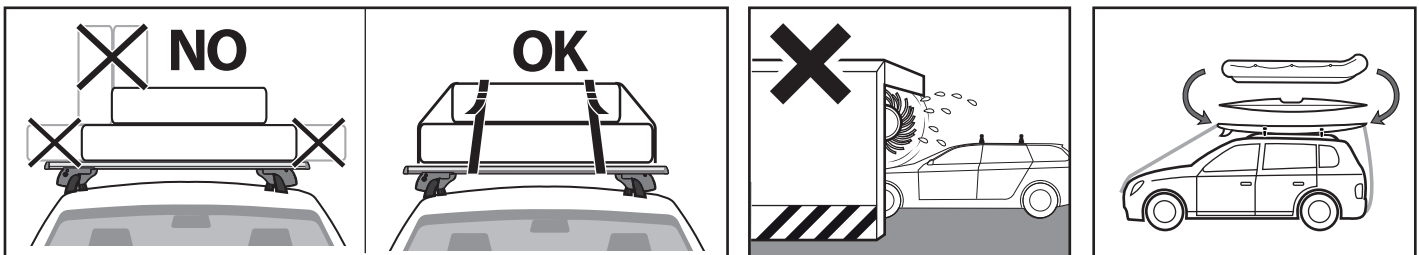
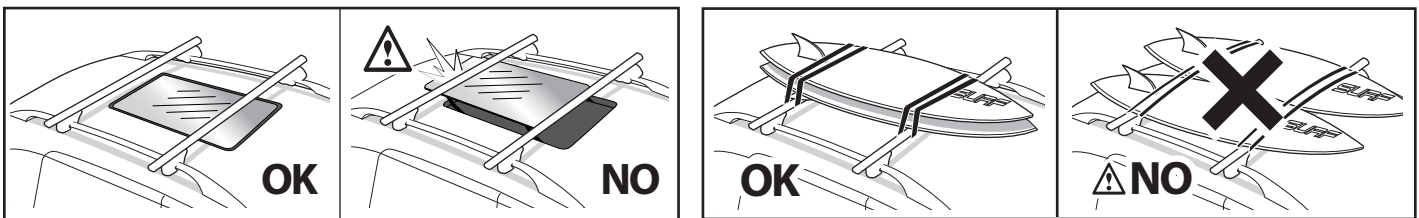
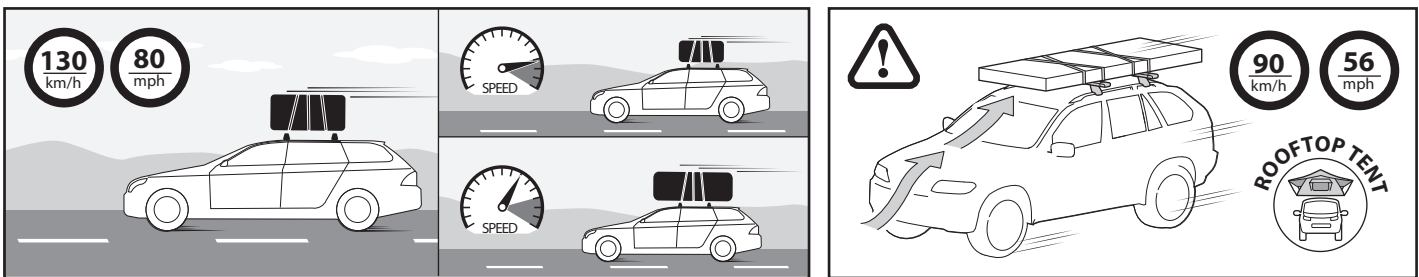
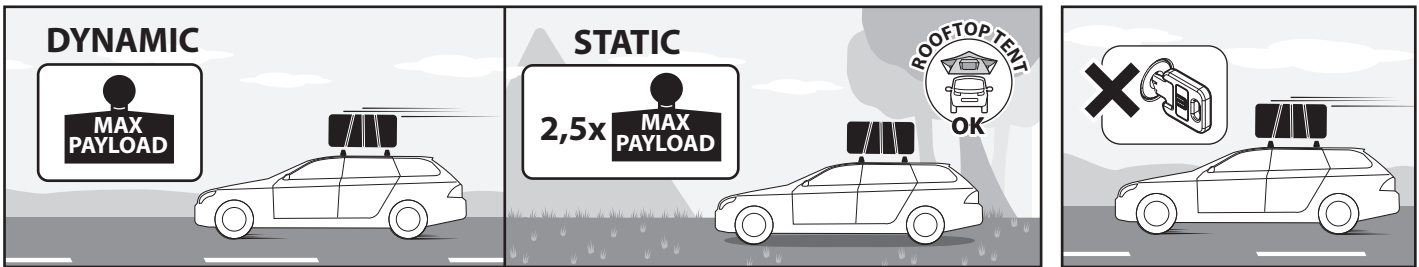
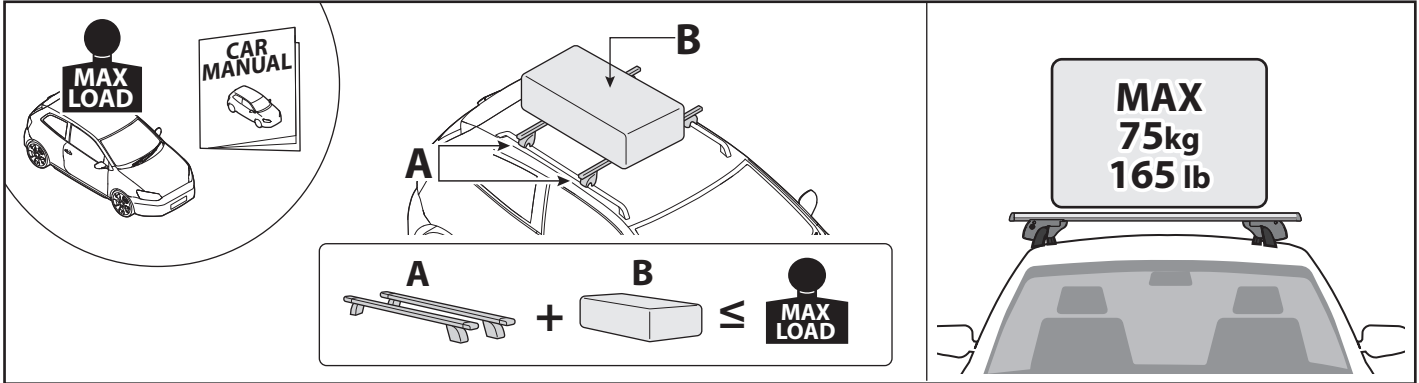
10

x2

N	Image	Q
21		2



			
	OE Corolla Cross	3kg / 6.6lb	MAX 75kg/165lb



F.lli Menabò S.r.l.
 Via 8 Marzo, 3 -Z.I. Corte Tegge
 42025 Cavriago (RE) ITALY
 customercare@flli-menabo.it
 www.menabocaraccessories.com



500045600000
 12/10/2023